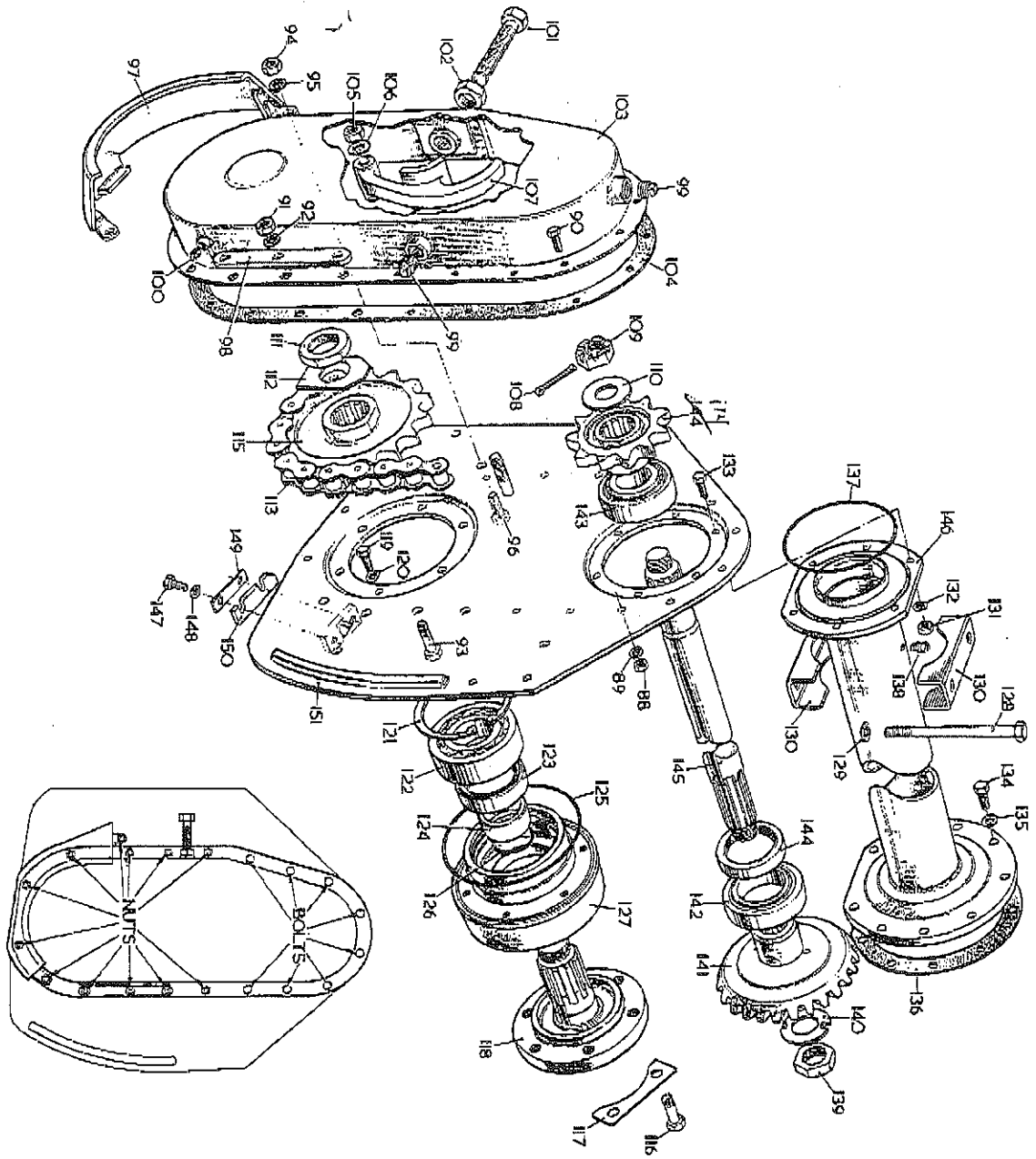


Howard HE Rotavator - Parts List  
SIDE DRIVE



810	6.79	20
-----	------	----

Illustration Part Number Description

No.	Part Number	Description	No. off	Bulletin No.
88	1071065110	Nut 3/8 UNF	15	
89	108661140	Spring washer 3/8 dia.	15	
90	1013068080	Set screw M10 x 25mm long	6	
91	1071068010	Nut 3/8 UNF	15	
92	108891440	Spring washer 3/8 dia.	4	
93	1011061140	Bolt 3/8 UNF x 1 1/2 inches long	4	
94	3407212010	Nut M12	4	
95	3081200040	Spring washer 12mm	1	
96	3014123000	Set screw M12 x 50mm	1	
97	3350086	Ground stud	1	
98	618117	Stiffener	1	
99	2081012000	Plug 3/8 BSP	2	
100	208101160	Plug 3/8 BSP	2	
101	24833	Screw	1	
102	107612020	Locknut	1	
103	618114	Chaincase	1	
104	618115	Gasket	1	
105	3072162000	Self locking nut M16	1	
106	308160010	Flat washer M16	1	
107	24833	Chainstud	1	
108	2081010240	Spdt. pin 3/8 dia. x 2" long	1	
109	61079	Special nut	1	
110	49486	Spring washer	1	
111	50801	Special nut	1	
112	65872	Tab washer	1	
113	54482	Chain - Morse	1	
		comprising:-		
		inner link	19	
		outer link	18	
		connecting link	1	
		Chain A.S.K.	1	
		comprising:-		
		inner link	19	
		outer link	18	
		connecting link	1	
		Sprocket 11T	1	
		Sprocket-rotor drive	1	
		Bolt M16 x 35mm long	6	
		Tab washer	6	
		Rotor drive shaft	3	
		Set screw M10 x 20mm long	6	
		Spring washer M10	6	
		Circclip	1	
		Bearing	1	
		Spacer	1	
		O' ring	1	
		O' ring	1	
		Roller bearing housing	1	
		Bolt M16 x 18mm	2	
		Spring washer M16 dia. 80 + 90	2	
		Clamp	2	
		Nut M10	6	
			6	

ok to 11/20  
complete Ch1

Howard HE Rotavator - Parts List

Illustration Part Number Description

No.	Part Number	Description	No. off	Bulletin No.
132	3081000040	Spring washer M10	6	
133	301410250	Set screw M10 x 25mm long	6	
134	301412250	Set screw M12 x 25mm long	6	
135	3081200040	Spring washer M12	9	
136	69740	Gasket 4mm	9	
137	69544	Gasket 7/8	9	
138	202026400	O' ring	1	
139	22031	Pressure relief valve	1	
140	3403400	Special nut	1	
141	66515	Tab washer	1	
142	252542101	Crown wheel	1	
143	251937191	Bearing	1	
144	253325061	Bearing	1	
145	305194	Oil seal	1	
		Jackshaft 50	1	
		Jackshaft 60	1	
		Jackshaft 70	1	
		Jackshaft 80	1	
		Jackshaft 90	1	
146	3350083	Jackshaft tube 50	1	
		Jackshaft tube 60	1	
		Jackshaft tube 70	1	
		Jackshaft tube 80	1	
		Jackshaft tube 90	1	
147	301410250	Set screw M10 x 25mm long	2	
148	3081000040	Spring washer M10	2	
149	658077	Backing strip	1	
150	658076	Cutter blade	1	
151	3350085	Backplate	1	
152		152 - 154 not allocated	1	

No. off	Bulletin No.	Bin No.
810	6/79	21